

# velec Sausage Loader

## A complete line for your sausage production

---

VELEC, well-known in the food sector for decades, offers a distribution and packaging solution for your sausage line. It is a perfect fit for those products, and respects their physical integrity while working at high-speed.

Easy to use and clean, our machines have been studied to meet the specific requirements of industrialists of the food sector. They allow a continuous feeding to the thermoforming machine. They are designed to work smoothly with various pieces of equipment, and can be adapted for a perfect integration.

---

# Velec Sausage Loader

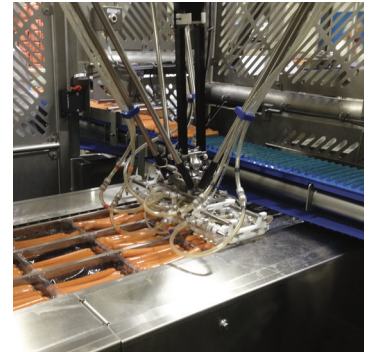
High Speed Counting Loading & Packing Solution

## Highly flexible and versatile machine

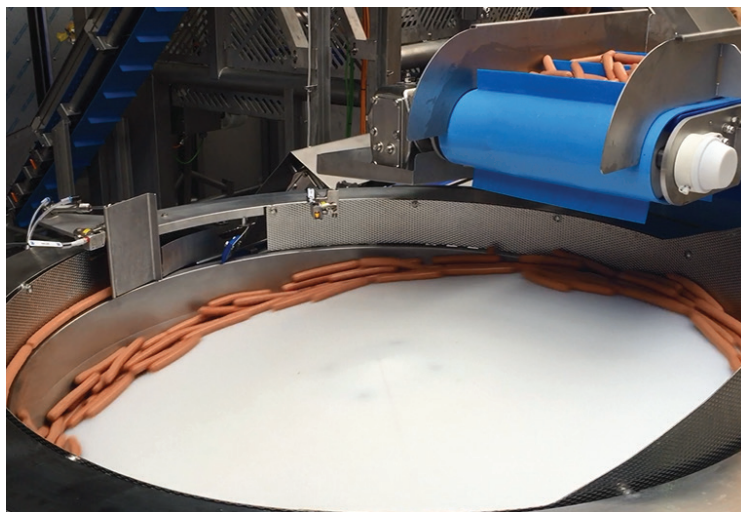
- Load all type of sausages: soft, brittle, flexible, stiff, peeled or skinned
- Load in all directions: parallel and perpendicular
- Load all packing configuration: single or multiple layers, with possibly different number per layers
- Quick change over thanks to preset recipes and dismountable grippers



Parallel mode



Perpendicular mode



## The maximum care for your sausage

Thanks to centrifugal force, products get reorganized by themselves without mechanical constraint. It avoid to break any sausage to maximize your quality and efficiency.

## Intuitive HMI

The interface is declined in a series of simple and intuitive screens.



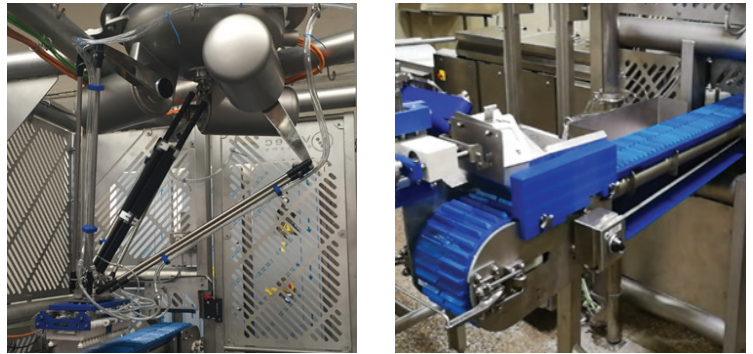
## Service

Built-in secured remote access for a distant interactive assistance via Ethernet, Wi-Fi or Sim card.



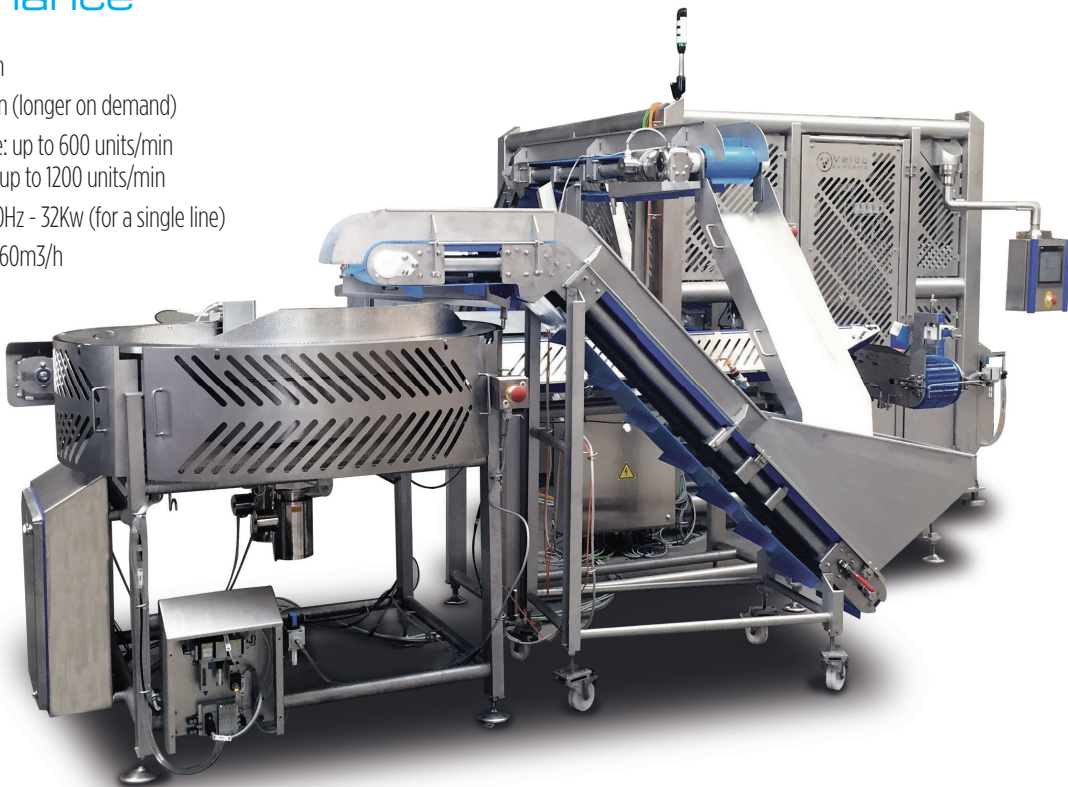
## Highly hygienic design

- 100% stainless steel IP69K solution (motors, gears, sensors, robot, venturi)
- Open and round structure to avoid retention area
- Food grade belts dismantlable without tools
- Equipment at human level to ease access, supervision and sanitation



## Performance

- Diameter: 16 to 32mm
- Length : up to 260mm (longer on demand)
- Output:
  - Single line: up to 600 units/min
  - Dual line: up to 1200 units/min
- Energy : 400V - 50/60Hz - 32Kw (for a single line)
- Air pressure: 6 bars - 60m3/h



CLEANABILITY



RELIABILITY

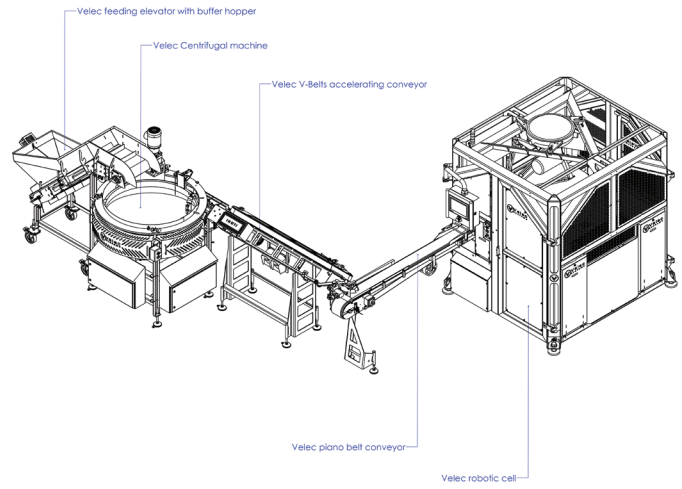
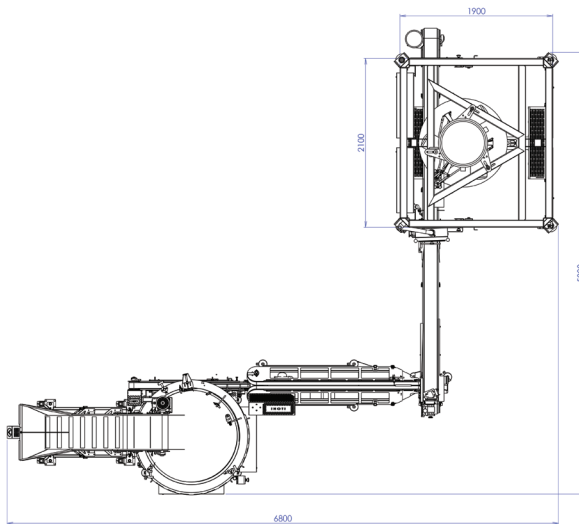
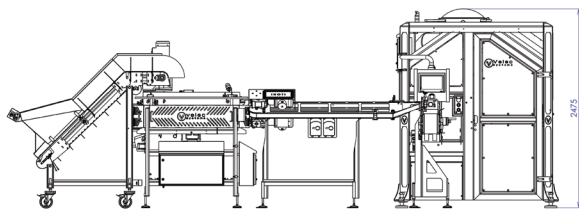


PERFORMANCE

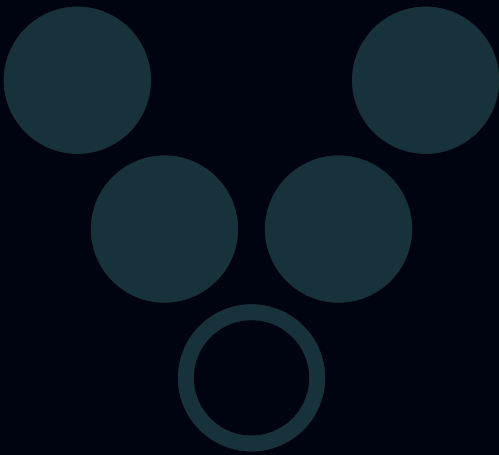


FUNCTIONAL





A	12/03/2018	FG	Création
IND.	DATE	Zone / Nom	Modification
Élaboré et validé les angles vifs		Tolérance d'usinage suivant norme ISO 2768 mc	
Utilisation, reproduction et communication de ce plan est interdite sans l'autorisation de Velec Systems			
Ces reproductions sont considérées de fait comme la propriété intellectuelle de Velec Systems			
Ligne à plat: "Réglage" de 0.10			
Ligne au gauch opposée			
6, rue Marie Curie P.A. de Ravennes les Francs 59910 BONDUES FRANCE		1/22	A1 1/1



6, rue Marie Curie  
 P.A. de Ravennes les Francs  
 59910 BONDUES **FRANCE**

Tel : 33 (0)3 20 75 44 98  
 Fax : 33 (0)3 20 75 39 02

info@velecsystems.com

[www.velecsystems.com](http://www.velecsystems.com)

